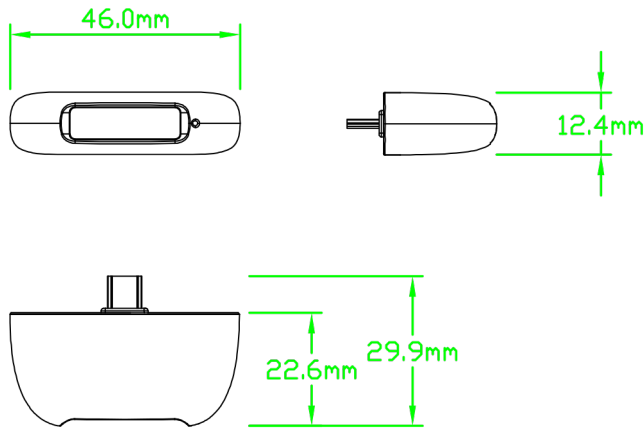


Specification



Mechanical

Dimensions: L46.0mm×W22.6mm×H12.4mm

Weight: 19g

Sensor Type: Linear CCD

Illumination: LED 630±30nm

Scan Angle: Skew±50°, Pitch±65°, Roll±25°

Scan Speed: 50 scan/second

Optical Resolution: 5mil

Field of View: Horizontal: 53° ±3° Vertical: 0.4°

Minimum Print Contrast: 20% MRD measured at 630nm

Electrical

Input Voltage: DC5 V±0.15 V

Scan Current: 165 mA

Low Power Current: <3mA

Shock: 2000G

Environmental

Ambient Light: 9690±5% LUX

Operating Temp: -20° to 50° C

Storage Temp: -40° to 70° C

Humidity: 5%-95% non-condensing

Symbologies

Code128, UCC/EAN-128, AIM 128, EAN-8, EAN-13, ISBN/ISSN, UPC-E, UPC-A, Code39, Interleaved 2 of 5, ITF-6, ITF-14, Matrix 2 of 5, Industrial 25, Standard 25, Codabar, Code 93, Code 11, Plessey, MSI-Plessey, GS1-DataBarTM (RSS) (RSS-14, RSS-Limited, RSS-Expand)

Depth of Field

Barcode		Distance		
Specifications	Part Number / Encoded Characters	Typical		Guaranteed
Code 39, 5mil	64-17453-01	Near	4.25 in. / 107.95 mm	5.57 in. / 146.05 mm
80%MRD	"ABCDEFGH"	Far	9.25 in. / 234.95 mm	7.75 in. / 196.85 mm
Code 39, 7.5mil	64-17452-01	Near	3.25 in. / 85.55 mm	4.5 in. / 114.3 mm
80%MRD	"ABCDEF"	Far	12.5 in. / 317.5 mm	10.0 in. / 254 mm
100%UPC-A	64-05303-01	Near	2.25 in. / 57.15 mm	2.5 in. / 63.5 mm
80%MRD	"012345678905"	Far	15.5 in. / 393.7 mm	11.25 in. / 285.75mm
Code 39, 20mil	64-17456-01	Near	3.0° in. / 76.2 mm	3.0° in. / 76.2 mm
80%MRD	"123"	Far	20.0 in. / 508 mm	17.0 in. / 431.8 mm

Notes:

- Distances are measured from the front flange surface of the image lens.
- The distances marked with asterisk (*) are a result of the field of view (FOV) limitation.
- Image signal should be with "Raw" option checked.
- Successful decoder criteria: Less than 250ms decode time, maximum of two attempts.
- Symbols are to be mounted with a pitch of 15 +/- 3 degrees away from the engine.
- Maximum allowable roll angle of symbols relative to the engine mounting base plane is +/- 3 degrees.

Other Informations

Certification: CE, RoHS, WEEE Complicant

Accessory: Strap, Ring smartphone holder

Warranty: 1 year

GENERALSCAN

Generalscan Electronics Co.; Ltd

Add: Room A608, 6 Floor, Building 3, Yadi Science Park, Hetai Road, Baiyun District, Guangzhou, China.510425

Tel: +86-20-28630420

Fax: +86-20-62351535

Email: sales@generalscan.com

Web: www.generalscan.com